

NKS424W02H**4MP H.265 One bullet + One turret WiFi NVS Kit**

- Easy and quick wireless installation
- All cameras can be linked with NVS at one time
- Secure and integrated video storage, all videos are stored in NVS
- Up to 512 GB Micro SD card storage capacity
- Remote mobile phone management, all functions can be performed through Hik-Connect, such as camera adding, two-way audio, live view, playback, etc.
- Accurate motion detection function
- Smart IR and white light
- Built-in mic and speaker for two-way audio
- 1 fixed PT turret camera and 1 fixed bullet camera, both with 4 MP resolution and 2.8 mm focal length

▪ Specification

Camera	
Power Supply	Bullet: 12 VDC \pm 25%, 0.5 A, max. 6 W, \varnothing 5.5 mm coaxial power plug, reverse polarity protection, A switching adapter is included in the package. Turret: 12 VDC \pm 25%, reverse polarity protection, 0.75 A, max. 9 W, \varnothing 5.5 mm coaxial power plug
Consumption	Bullet: \leq 6 W Turret: \leq 9 W
Working Temperature	Bullet: -30 °C to 60 °C (-22 °F to 140 °F) Turret: -10 °C to 40 °C (-14 °F to 104 °F)
Working Humidity	95% or less (non-condensing)
Dimension (W \times D \times H)	Bullet: 260.9 mm \times 113.9 mm \times 67.4 mm (10.3" \times 4.5" \times 2.7") Turret: \varnothing 124 mm \times 119 mm (\varnothing 4.89" \times 4.68")
Weight	Bullet: 305 g (0.67 lb.) Turret: 290 g (0.6 lb.)
Camera	
Focal Length	2.8 mm
Aperture	Bullet: F1.6 Turret: F2.0
Focus	Fixed
FOV	Bullet: horizontal FOV 94°, vertical FOV 49°, diagonal FOV 114° Turret: horizontal FOV 91.1°, vertical FOV 47.9°, diagonal FOV 110.8°
Camera	
IR Range	Bullet: Up to 30 m Turret: White light distance: up to 15 m, IR distance: up to 20 m
Camera	
Video Compression	H.265, H.264, MJPEG
H.264 Type	Baseline Profile/Main Profile/High Profile
H.265 Type	Main Profile
Video Bit Rate	32 Kbps to 8 Mbps
Audio Compression	G.711ulaw/AAC-LC
Audio Bit Rate	64 Kbps (G.711ulaw)/16 to 64 Kbps (AAC-LC)
Audio Sampling Rate	8 kHz/16 kHz
Environment Noise Filtering	Yes
Camera	
Max. Resolution	4MP
Main Stream	50 Hz : 25 fps (2560 \times 1440 , 1920 \times 1080 , 1280 \times 720) 60 Hz : 20 fps (2560 \times 1440) , 24 fps (1920 \times 1080 , 1280 \times 720)
Sub-stream	50 Hz: 25 fps (768 \times 432) 60 Hz: 30 fps (768 \times 432)
Image Setting	Saturation, brightness, contrast, sharpness, gain, white balance, adjustable by client software or web browser
Day/Night Switch	Auto/Scheduled/Day/Night

Camera	
Alarm Trigger	Motion detection (support alarm triggering by specified target types (human and vehicle)),video tampering alarm,exception
Protocols	TCP/IP, ICMP, DHCP, DNS, HTTP, RTP, RTCP, RTSP, NTP, IGMP, IPv6, UDP, QoS, UPnP
General Function	One-key reset, heartbeat, mirror, password protection, privacy mask, watermark, IP address filter
Camera	
Communication Interface	1 RJ45 10M/100M self-adaptive Ethernet port
Reset Button	Yes
Camera	
Camera Case Type	Bullet,Turret
Image Sensor	1/2.7" Progressive Scan CMOS
Min. Illumination	Bullet : Color:0.005 Lux @ (F1.6, AGC ON), B/W: 0 Lux with IR Turret : Color: 0.01 Lux @ (F2.0, AGC ON), B/W: 0.005Lux @(F2.0, AGC ON), 0 Lux with IR
Day &Night	IR cut filter
WDR	DWDR
Angle Adjustment	Bullet: Pan: 0° to 360°,tilt: 0° to 90°,rotate: 0° to 360° Turret: Pan: 0° to 350°,tilt: 0° to 75°
Protection Level	Bullet : IP66 Turret : IP54
Material	Plastic
Wi-Fi Support	Yes
NVR	
IP Video Input	4-ch
Incoming/Outgoing Bandwidth	20 Mbps/20 Mbps
NVR	
Video Resolution	6 MP/5 MP/4 MP/3 MP/1080p/UXGA /720p/VGA/4CIF/DCIF/ 2CIF/CIF/QCIF
Synchronous Playback	1-ch
NVR	
Network Interface	1, RJ45 10/100M Ethernet interface
NVR	
Frequency Band	2.4 GHz
Antenna Structure	High gain antenna
Transmission Speed	150 Mbps
NVR	
SD Card	32G/64G/128G/256G/512G
NVR	
Power Supply	12 VDC
Consumption (without HDD and PoE off)	≤ 6 W
Working Temperature	-10 °C to 55 °C (14 °F to 131 °F)
Working Humidity	10% to 90%
Dimension (W × D × H)	163 x 125 x 26 mm (6.4" × 4.9" × 1.0")

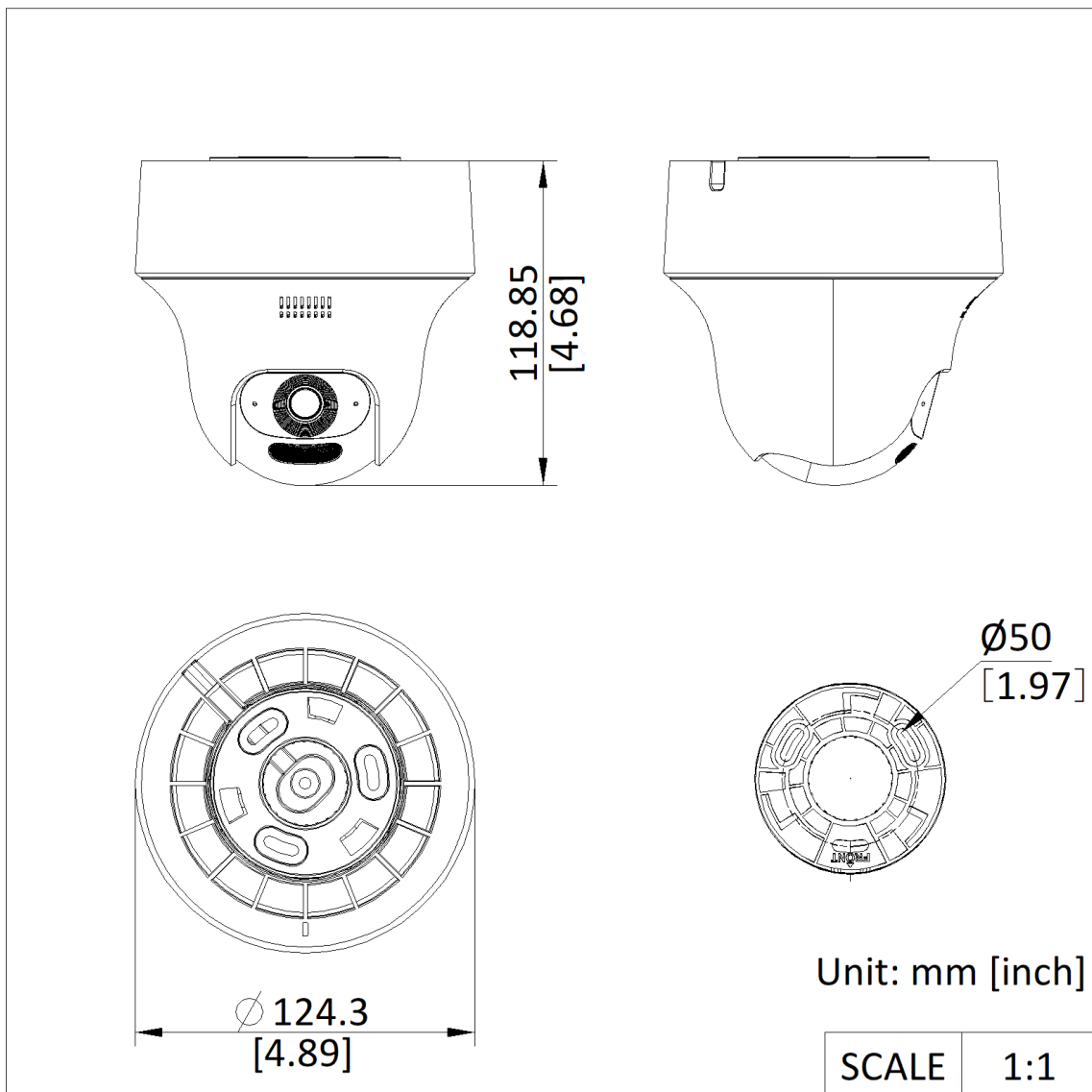
Weight (without hard disk)	≤ 500g
Kit	
Accessories	Power adaptor: 2 × IPC power adaptor, 1 × NVS power adaptor Ethernet cable: RJ45, Cat5e UTP, 1 m
Certification	CB, CE
Weight (with package)	≤ 2 kg (4.4 lb)

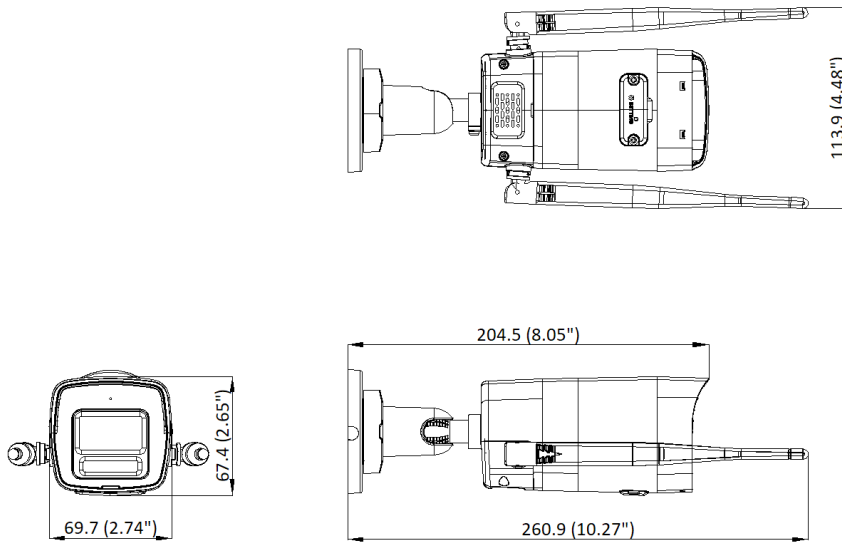
▪ **Available Model**

DS-J142I(STD)/NKS424W02H

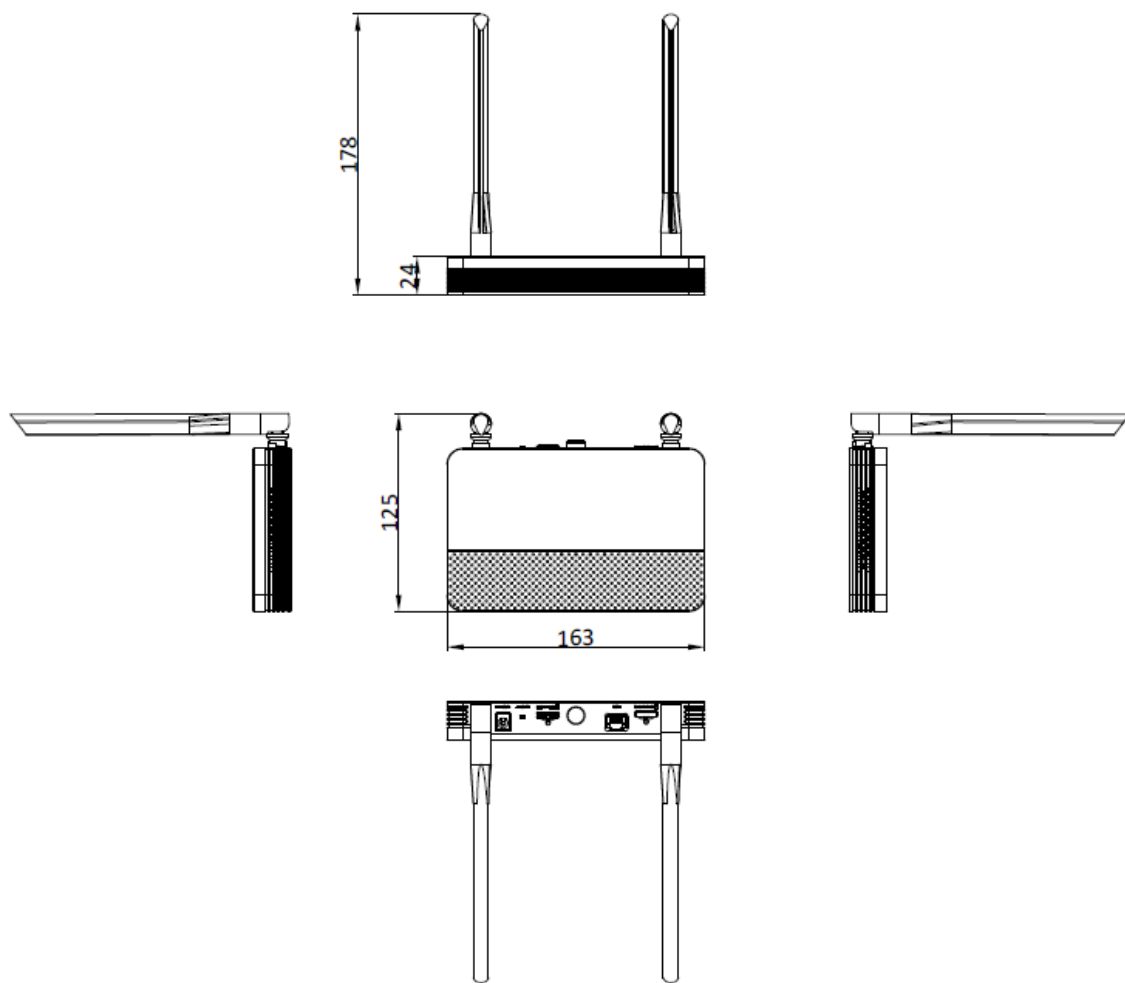
DS-J142I(STD)/NKS424W02H/NHA AN TOA

▪ **Dimension**





Unit: mm (inch)



scale/1:1;Unit/mm

See Far, Go Further



www.hikvision.com
support@hikvision.com

